



# FlexTech Monitor Brackets

## Handrail Mounting Plates for Partech Monitors

PRODUCT DATASHEET

### MATERIALS

316 Stainless Steel

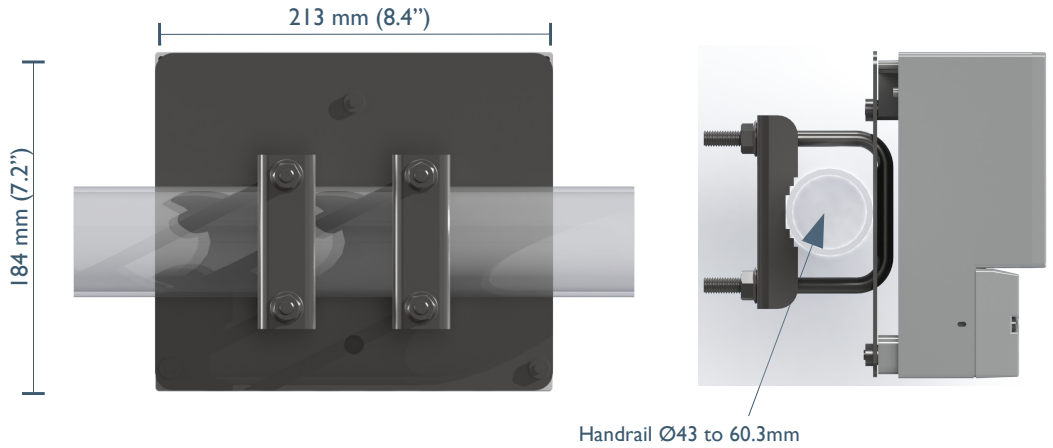
### INCLUDES

Mounting Plate  
2 U Bolts  
Monitor Fixings

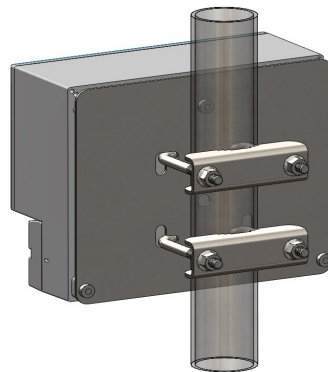
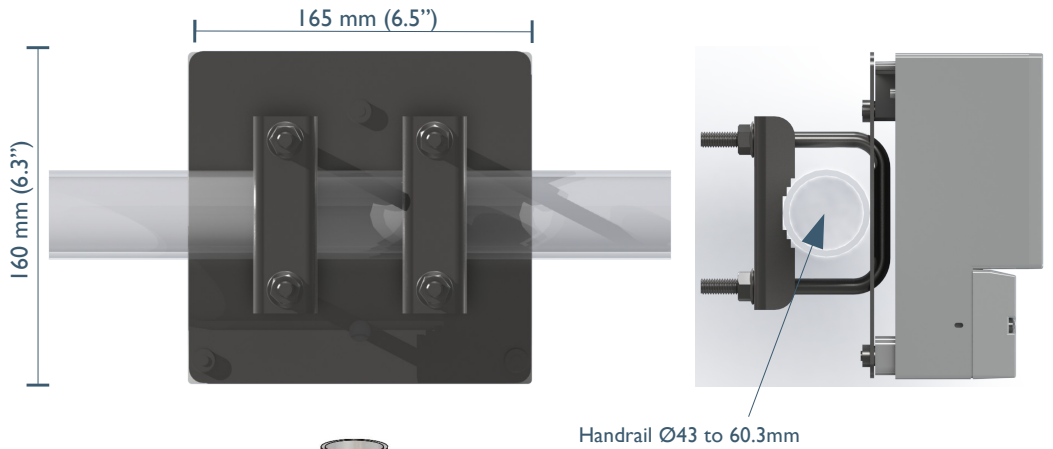
### ORIENTATION

The mounting plate can be rotated 90° to allow the monitor to be fixed to a vertical handrail stanchion

### 7300w<sup>2</sup> and SludgeWatch Ultra Monitors



### 7200, 7200w<sup>2</sup>, 8100 and 8200 Monitors



Both brackets can be rotated by 90° to allow the monitors to be attached to a vertical stanchion

### Order Codes

Part No	Description
223974	FlexTech Monitor Bracket Assembly (7300w <sup>2</sup> /SludgeWatch Ultra Monitor; Handrail Ø43 to 60.3 mm)
224370	FlexTech Monitor Bracket Assembly (7200/7200w <sup>2</sup> /8100/8200 Monitor; Handrail Ø43 to 60.3 mm)

Publication No: 223974DS-Iss01  
The company reserves the right to alter the specification without prior notice. E&OE. Dimensions are in mm with inches in brackets

Call us on + 44(0)1726 879800 [www.partech.co.uk](http://www.partech.co.uk)

