



Filtered Sample Pot Assembly

For use with MicroMac Colorimetric Analysers

PRODUCT DATASHEET

COMPATIBLE ANALYSERS

MicroMac C
MicroMac 1000

MATERIALS

PVC

SIZE

Length – 155 mm
65mm Diameter

INCLUDES

Hosetail Fittings for Inlet, Outlet and Sample

PROCESS CONNECTIONS

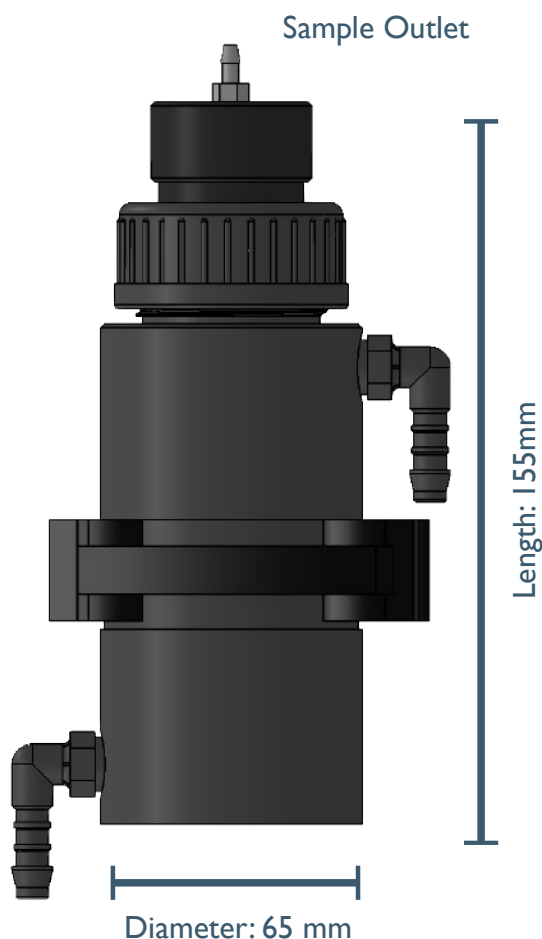
Inlet – 1/4" BSP to 8mm Hosetail
Outlet – 1/4" BSP to 8mm Hosetail
Sample – 1/2" BSP to 12 mm Hosetail

Order Codes

Part No	Description
224579	Filtered Sample Pot Assembly

Publication No: 224579DS-Iss01

The company reserves the right to alter the specification without prior notice.
E&OE. Dimensions are in mm.



The filtered sample pot assembly is intended for use in conjunction with the MicroMac C or MicroMac 1000 colorimetric Analysers in applications where a low level of particulate matter is likely to be present.

The 400 micron filter is provided to protect the analyser from blockages due to particles in the sample. The sample pot has been designed for easy of use and only requires a periodic clean to ensure the sample is available for the analyser.

Call us on + 44(0)1726 879800 www.partech.co.uk



Charlestown St Austell Cornwall UK PL25 3NN T:+44 (0)1726 879800 F:+44 (0)1726 879800 E:info@partech.co.uk www.partech.co.uk