



FlexTech Extension Bracket

For use with all Partech Dip Type Sensors

PRODUCT DATASHEET

COMPATIBLE SENSORS

TurbiTechw² LA
TurbiTechw² HR
TurbiTechw² LS
Turbi-Tech 2000LA
Turbi-Tech 2000LS
Turbi-Tech 2000HR
OxyTechw² OPT
OxyTechw² GAL
WaterTechw² PHEVT
WaterTechw² C4E
SoliTechw² ST
SoliTechw² IR
Soli-Tech 20v2

MATERIALS

316 Stainless Steel

INCLUDES

Extension Arm
2 off M10 'U' Bolts with Fixings

NOT INCLUDED

Mounting Bracket
Mounting Shaft

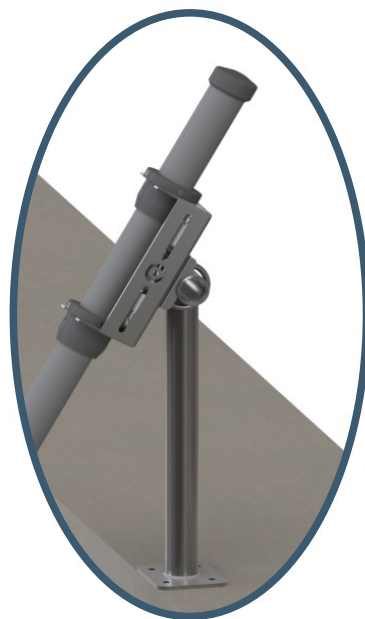
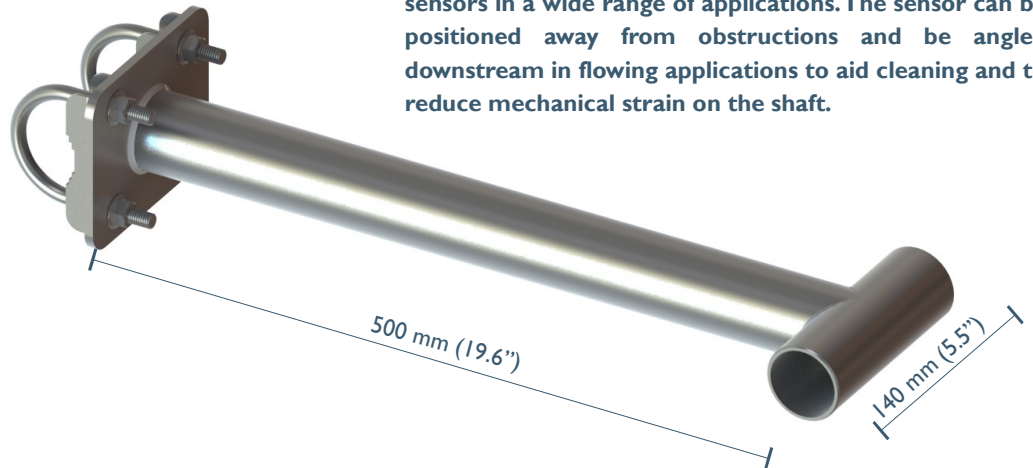
Order Codes

Part No	Description
224567	FlexTech Extension Bracket Assembly with U Bolts (500 mm Long, Handrail Ø43 to 60.3 mm)

Publication No: 224567DS-Iss02

The company reserves the right to alter the specification without prior notice. E&OE. Dimensions are in mm with inches in brackets

This bracket extension combines with the sensor mounting bracket (PN223890) to allow installation of our sensors in a wide range of applications. The sensor can be positioned away from obstructions and be angled downstream in flowing applications to aid cleaning and to reduce mechanical strain on the shaft.



Vertical or horizontal direct mount onto a tank or channel wall

Handrail Connection to allow sensors to be angled into effluent flow



Call us on + 44(0)1726 879800 www.partech.co.uk

