



FlexTech Sensor Bracket

Simple Cable Clamp Sensor Bracket

PRODUCT DATASHEET

COMPATIBLE SENSORS

IR100
IR40
IR15
IR8

Soli-Tech 20 v2 (all ranges)
SoliTechw² ST (all ranges)
SoliTechw² IR (all ranges)

MATERIAL

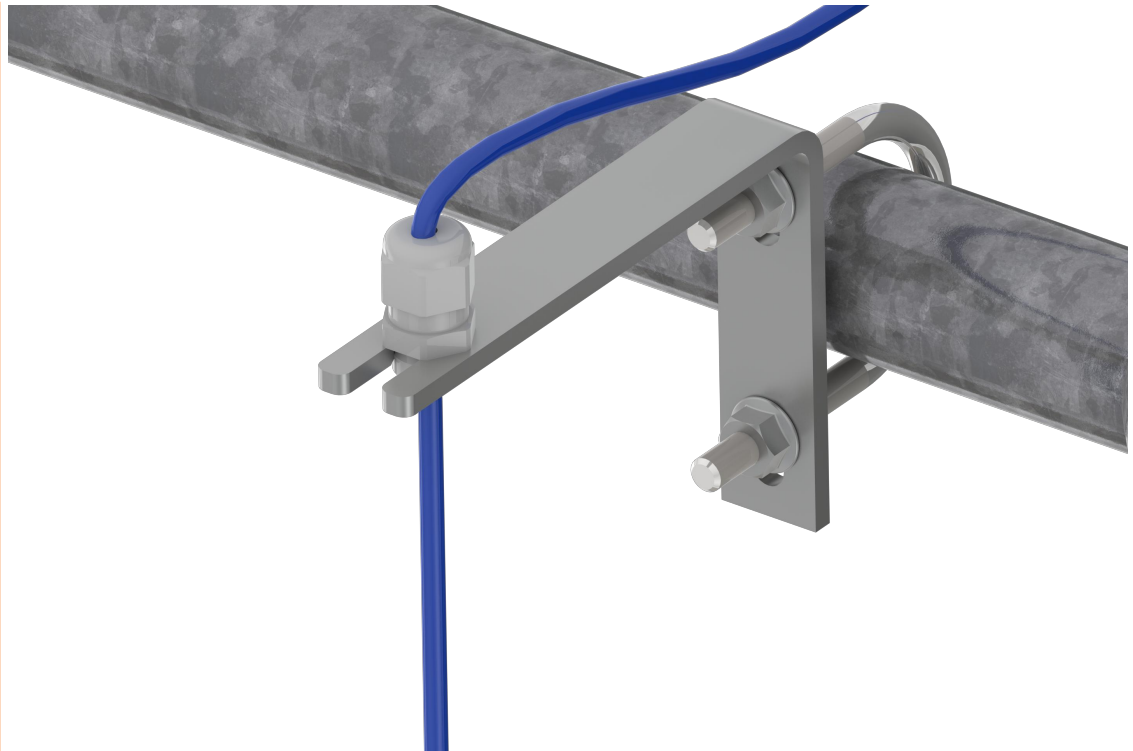
Stainless Steel
Nylon Cable Gland

HANDRAIL SIZE

Nominal 50mm

SENSOR ADJUSTMENT

The sensor location is adjusted by loosening the cable gland and sliding the cable to the desired position

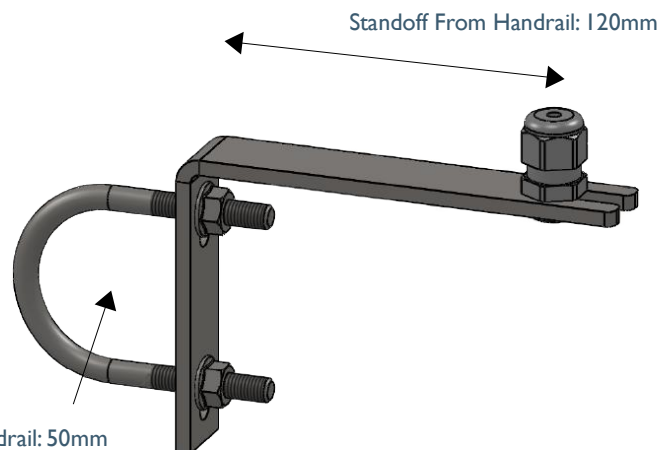


Order Code

171290 FlexTech Sensor Mounting Bracket - IR, Soli-Tech 20v2, SoliTechw² IR and ST Sensors (Handrail)

Publication No: 171290DS-Iss02

The company reserves the right to alter the specification without prior notice. E&OE



Call us on + 44(0)1726 879800 www.partech.co.uk

