



FlexTech Sensor Bracket

For use with all Partech Dip Type Sensors

PRODUCT DATASHEET

COMPATIBLE SENSORS

TurbiTech² LA
TurbiTech² HR
TurbiTech² LS
Turbi-Tech 2000LA
Turbi-Tech 2000LS
Turbi-Tech 2000HR
OxyTech² OPT
OxyTech² GAL
WaterTech² PHEVT
WaterTech² C4E
SoliTech² ST
Soli-Tech 20v2

MATERIALS

PVC Fittings
316 Stainless Steel Bracket

INCLUDES

Mounting Plate
2 off M10 'U' Bolts with Fixings
2 off PVC Collars

NOT INCLUDED

Mounting Shaft

ADJUSTMENT

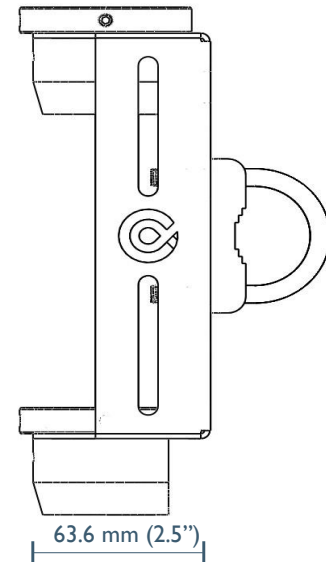
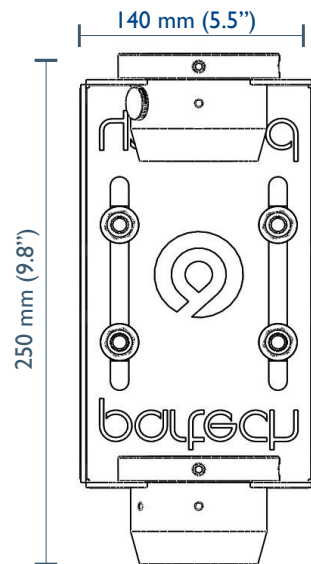
Minimum Angle from vertical 30°
Maximum Angle from vertical 150°

Order Codes

Part No	Description
223980	FlexTech Sensor Bracket (Handrail Ø43 to 60.3 mm)

Publication No: 223980DS-Iss02

The company reserves the right to alter the specification without prior notice. E&OE. Dimensions are in mm with inches in brackets



Call us on + 44(0)1726 879800 www.partech.co.uk

