



FlexTech Monitor Bracket

Handrail Mounting Plate for Partech Monitors

PRODUCT DATASHEET

MONITORS

7300w² Monitor
8200w² Monitor
SludgeWatch Ultra

MATERIALS

316 Stainless Steel

INCLUDES

Mounting Plate
2 U Bolts
Monitor Fixings

ORIENTATION

The mounting plate can be rotated 90° to allow the monitor to be fixed to a vertical handrail stanchion

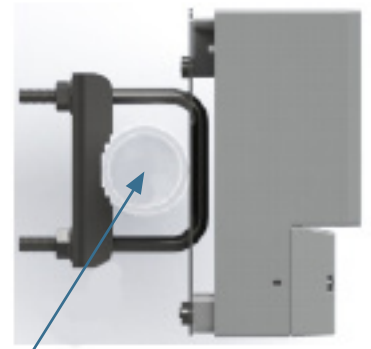
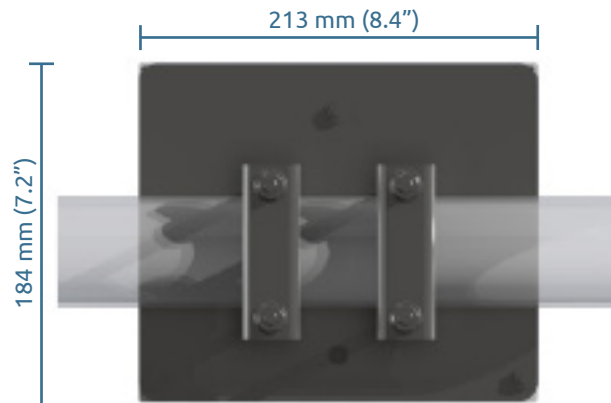
Order Codes

Part No Description

223974 FlexTech Monitor Bracket Assembly (7300w²/8200w²/SludgeWatch Ultra Monitor, Handrail Ø43 to 60.3 mm)

Publication No: 223974DS-Iss03

The company reserves the right to alter the specification without prior notice. E&OE Dimensions are in mm with inches in brackets.



Handrail Ø43 to 60.3 mm



The FlexTech mounting bracket can be used to attach the 7300w², 8200w² or SludgeWatch Ultra Monitor to vertical or horizontal handrail.

The handrail can be between 44 and 60.3 mm in diameter.

Call us on + 44(0) 1726 879800 www.partech.co.uk



Address: Rockhill Business Park, Higher Bugle, St Austell, Cornwall PL26 8RA, UK E: info@partech.co.uk