



FlexTech Sensor Bracket

For use with all Partech Dip Type Sensors

PRODUCT DATASHEET

COMPATIBLE SENSORS

TurbiTechw² LA
TurbiTechw² HR
TurbiTechw² LS
Turbi-Tech 2000LA
Turbi-Tech 2000LS
Turbi-Tech 2000HR
OxyTechw² OPT
OxyTechw² GAL
WaterTechw² PHEVT
WaterTechw² C4E
SoliTechw² ST
Soli-Tech 20v2

MATERIALS

PVC Fittings
316 Stainless Steel Bracket

INCLUDES

Mounting Plate
2 off M10 'U' Bolts with Fixings
2 off PVC Collars

NOT INCLUDED

Mounting Shaft

ADJUSTMENT

Minimum Angle from vertical 30°
Maximum Angle from vertical 150°

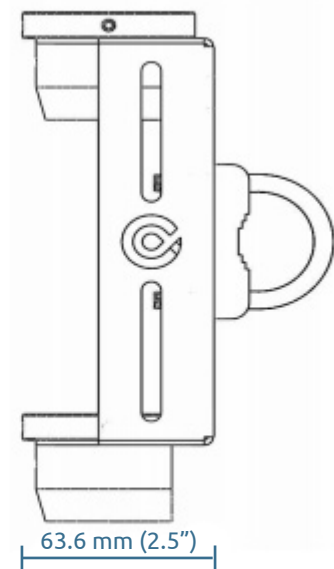
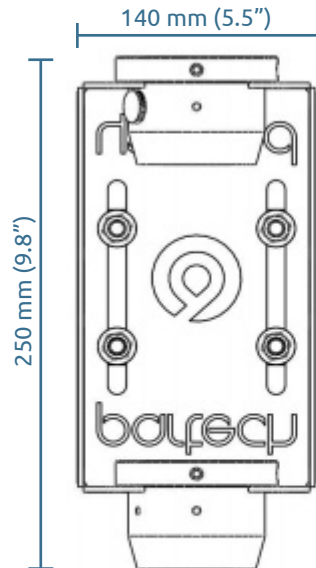
Order Codes

Part No Description

223974 FlexTech Sensor Bracket
(Handrail Ø43 to 60.3 mm)

Publication No: 223980DS-Iss03

The company reserves the right to alter the specification without prior notice. E&OE Dimensions are in mm with inches in brackets.



Call us on + 44(0) 1726 879800 www.partech.co.uk

partech 

Address: Rockhill Business Park, Higher Bugle, St Austell, Cornwall PL26 8RA, UK E: info@partech.co.uk