



FlexTech Sensor Bracket

For use with all Partech Dip Type Sensors

PRODUCT DATASHEET

COMPATIBLE SENSORS

TurbiTech² LA
TurbiTech² HR
TurbiTech² LS
OxyTech² RDO Pro-X
OxyTech² GAL
WaterTech² pH8000
WaterTech² Redox8000
WaterTech² C4E
SoliTech² IR

MATERIALS

PVC Fittings
316 Stainless Steel Bracket

INCLUDES

Mounting Plate
2 off M10 'U' Bolts with Fixings
2 off PVC Collars

NOT INCLUDED

Mounting Shaft

ADJUSTMENT

Vertical to 45°
application dependent

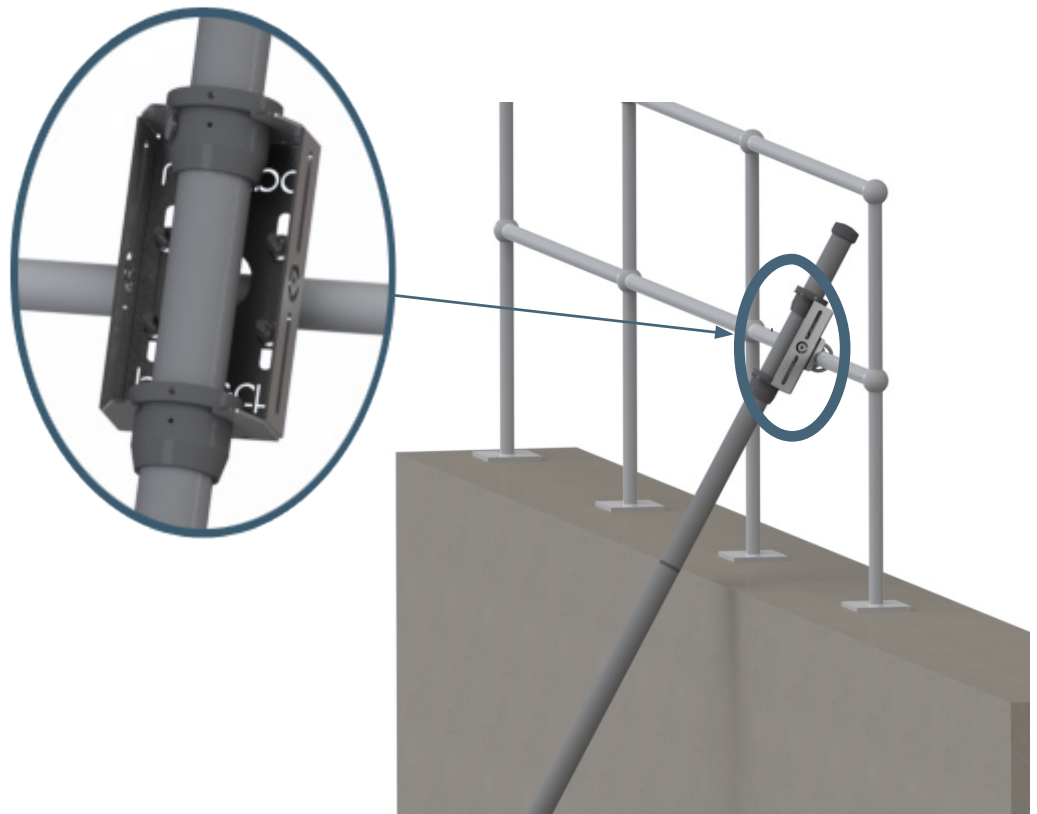
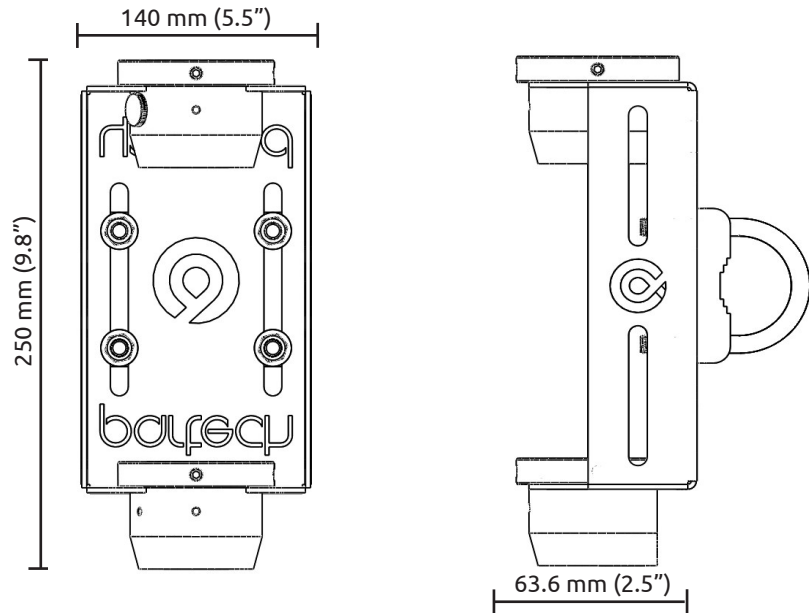
Order Codes

Part No Description

223980 FlexTech Sensor Bracket
(Handrail Ø43 to 60.3 mm)

Publication No: 223980DS-Iss06

The company reserves the right to alter the specification without prior notice. E&OE Dimensions are in mm with inches in brackets.



Call us on + 44(0) 1726 879800 www.partech.co.uk



Address: Rockhill Business Park, Higher Bugle, St Austell, Cornwall PL26 8RA, UK E: info@partech.co.uk