



# FlexTech Flowcell

For use with OxyTechw<sup>2</sup> RDO Pro-X, WaterTechw<sup>2</sup> pH8000/Redox8000 & WaterTechw<sup>2</sup> C4E Sensor

PRODUCT DATASHEET

## COMPATIBLE SENSORS

OxyTechw<sup>2</sup> RDO Pro-X  
WaterTechw<sup>2</sup> pH8000/Redox8000  
WaterTechw<sup>2</sup> C4E Sensor

## MATERIALS

Body - PVC  
Brackets - PVC  
Seals - Nylon  
O-ring - Nitrile

## PROCESS CONNECTIONS

Hose Connector 1/2" BSPT to 12mm ID  
Hose Straight

## NOT INCLUDED

Sensor

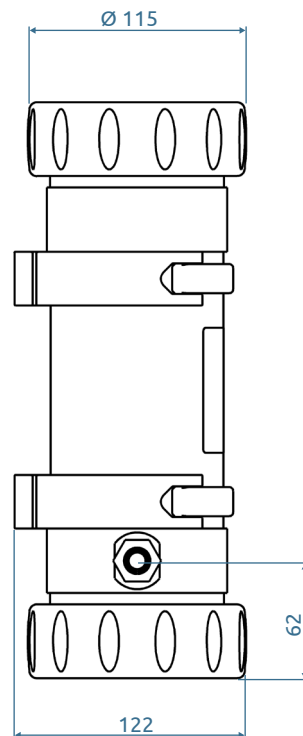
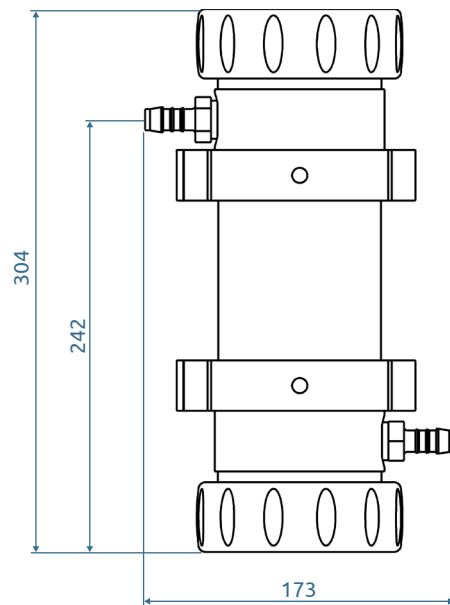
## Order Codes

### Part No Description

- |        |  |
|--------|--|
| 229696 | FlexTech Flowcell for OxyTechw <sup>2</sup> RDO Pro-X          |
| 229693 | FlexTech Flowcell for WaterTechw <sup>2</sup> pH8000/Redox8000 |
| 229717 | FlexTech Flowcell for WaterTechw <sup>2</sup> C4E Sensor       |

Publication No: 229696DS-Iss02

The company reserves the right to alter the specification without prior notice. E&OE



Partech offers a range of Flowcell's to accommodate a number of sensor options such as pH, Redox & Conductivity/Salinity. Partech Flowcell's are designed for easy installation and maintenance. Simple installation using the wall mount bracket provided as standard.

This flow cell is used in specific installations where it is not possible to mount the sensor directly in the flow. The cell allows the user to pass a sample directly over the reading face of the sensor. This is achieved by connecting to the inlet connection with another connection to the outlet connection. The sample is either pumped or gravity fed through the cell with the outlet waste either running to waste or back into the flow.



Call us on + 44(0) 1726 879800 [www.partech.co.uk](http://www.partech.co.uk)



Address: Rockhill Business Park, Higher Bugle, St Austell, Cornwall PL26 8RA, UK E: [info@partech.co.uk](mailto:info@partech.co.uk)